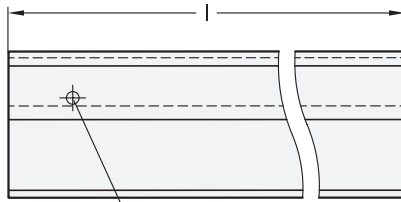
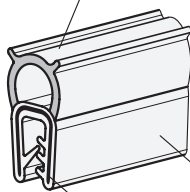


Type A



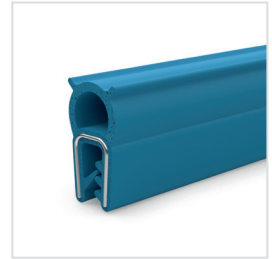
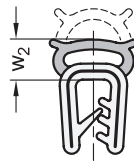
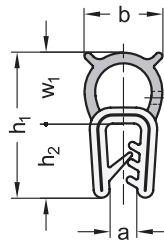
Air vent drilling

Upper seal profile



Clamping profile

Clamp insert

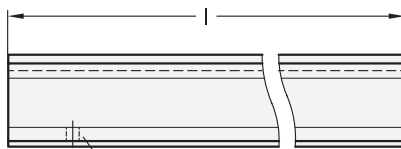


FDA

3 Type

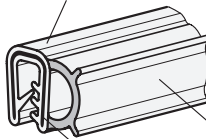
- A Upper seal profile
- D Side seal profile

Type D



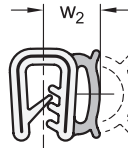
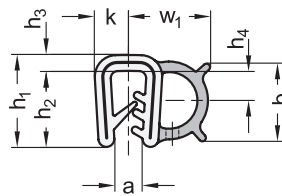
Air vent drilling

Clamping profile



Side seal profile

Clamp insert



2 4

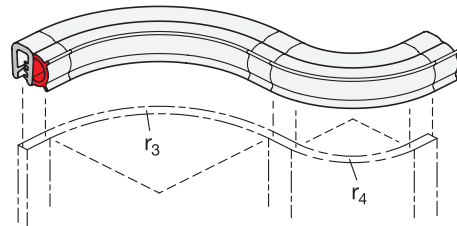
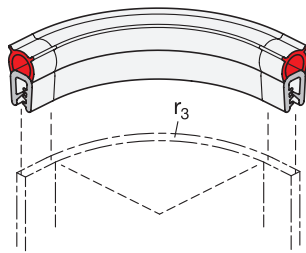
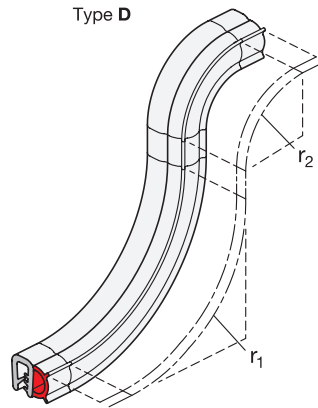
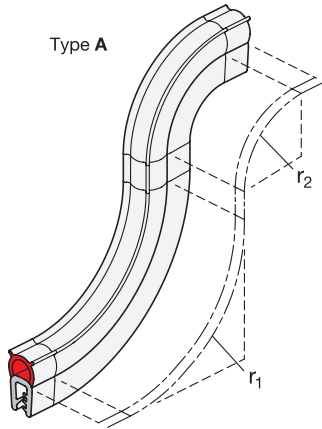
Type A

h_1	Length l in meter	a Clamping range	b	h_2	r_1	r_2	r_3	w_1	w_2 At 50% of the permissible deformation
20,5	20	1 - 3,5	11	10,5	90	50	30	10	7

2 4

Type D

h_1	Length l in meter	a Clamping range	b	h_2	h_3	h_4	k	r_1	r_2	r_3	r_4	w_1	w_2 At 50% of the permissible deformation
13	20	1 - 3,5	11	10,75	2,25	4,5	4,75	40	50	100	80	11,25	8,75



Specification



- Clamping profile / seal profile
Acrylonitrile butadiene rubber **NBR**
- FDA compliant
- Blue, RAL 5012
- Clamping profile hardness 70±5 Shore A
- Seal profile hardness 30±5 Shore A
- Temperature resistant from -30 °C to 100 °C

- Clamping profile / seal profile
Silicone rubber **MVQ**
- FDA compliant
- Blue, RAL 5005
- Clamping profile hardness 60±5 Shore A
- Seal profile hardness 60±5 Shore A
- Temperature resistant from -50 °C to 200 °C

- Clamping insert
Stainless steel wire polyester clamping band
AISI 304

- *Elastomer Characteristics* → Page 2156
- *Stainless Steel Characteristics* → Page QVX
- **RoHS**

On request

- Material MVQ in other colours

Information

Edge protection seal profiles GN 2190 can be used to seal doors, covers and hatches. The profiles can be pushed onto the edges of metal sheets and plates by hand. The embedded clamping insert prevents it from detaching. Glue or other adhesives are not required.

Thanks to the use of FDA compliant materials, the profiles are suitable for applications with corresponding requirements. In addition to approval as per FDA 21 CFR 177.2600, the silicone version satisfies the guidelines of 3-A Sanitary Standard Inc. and DIN ISO 10993.

The profiles made of NBR are particularly suited for applications where they may come into contact with oils, greases, or similar fluids.

When installed, the profile should be compressed slightly by the adjacent components according to measurement w_2 . This ensures an optimal seal. It is recommended to adhere to the placement radii ($r_1... r_4$) guidelines in order to ensure a tight and long lasting profile seal and to make assembly easier.

The seal profiles have venting holes on one side for production-related reasons (at a distance of about 2 m), which should be taken into account for design and installation.

see also...

- *Technical Information* → Page 1273
- *Edge Protection Seal Profiles GN 2180* → Page QVX

How to order

1	Material
2	h_1
3	Type
4	Length l

GN 2190-NBR-20,5-A-20

