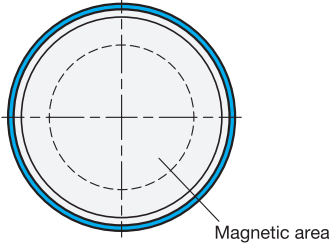


View of magnetic surface



**3 Polarity**

- N North
- S South

**4 Type**

- A Flat magnetic surface

d <sub>1</sub>	d <sub>2</sub>	d <sub>3</sub>	d <sub>4</sub>	h	t	Nominal magnetic forces in N	
						Combination with holding disk	Combination of magnet polarity N with polarity S
28	M 4	26	24	10	4	45	60
42	M 5	40	38	11	5	80	105

**Specification**

- Magnet material  
NdFeB  
Neodymium, iron, boron  
Temperature resistant up to 180 °C
- Housing  
Stainless steel AISI 316L  
Matte finish (Ra < 0.8 µm) **MT**
- Sealing ring  
- H-NBR **H**  
Temperature resistant -25 °C to +150 °C  
- EPDM **E**  
Temperature resistant -40 °C to +120 °C  
- Blue  
- Hardness 85 ±5 Shore A  
- FDA compliant
- Plastic Characteristics → Page QVX
- Stainless Steel Characteristics → Page QVX
- RoHS

**Accessory**

- Sealing Rings GN 7600 → Page QVX
- Holding Disks GN 7080 → Page QVX
- Holding Disks GN 7090 → Page QVX
- Screws GN 1581 → Page QVX

**On request**

- With FKM sealing ring (fluoro-elastomer) **F**

**Information**

Retaining magnets GN 5090 are designed for use in hygienic areas. The sealed screw-on surface enables mounting without dead spaces; the impervious geometry in combination with the high quality finish prevents dirt from accumulating and facilitates cleaning.

Since non-magnetic stainless steels are generally used in hygienic areas, a holding force is only achieved in combination with holding disks GN 7080 or GN 7090. If an increased holding force is required, a second magnet with opposite polarity can be used as a counterpart.

To prevent the magnetic properties from being impaired, the mounting screw should also be made of non-magnetic stainless steel.

Thanks to the material used and the enclosed design, the retaining magnets can also be used in particularly aggressive environments.

see also...

- Product Family [Hygienic Design](#) → Page QVX
- More Information to Retaining Magnets → Page QVX
- Assembly Instructions GN 5080 / GN 5090 / GN 7080 / GN 7090 → Page QVX
- Retaining Magnets GN 50.4 → Page QVX

How to order

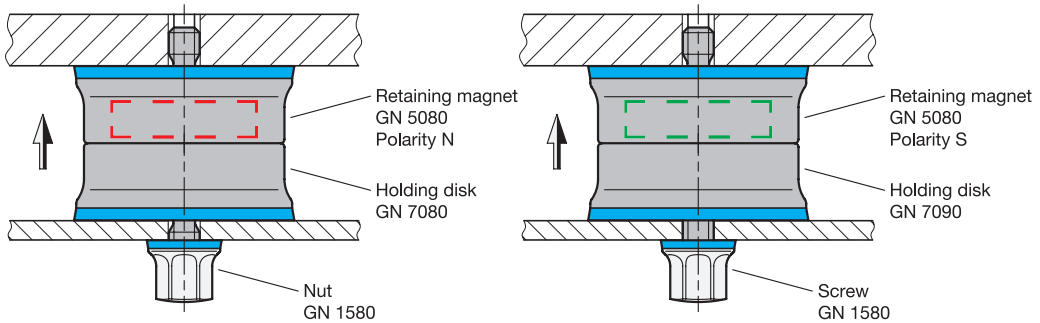
1	d <sub>1</sub>
2	d <sub>2</sub>
3	Polarity
4	Type
5	Finish
6	Material (sealing ring)

**GN 5090-28-M4-N-A-MT-H**

# Retaining Magnets / Holding Disks

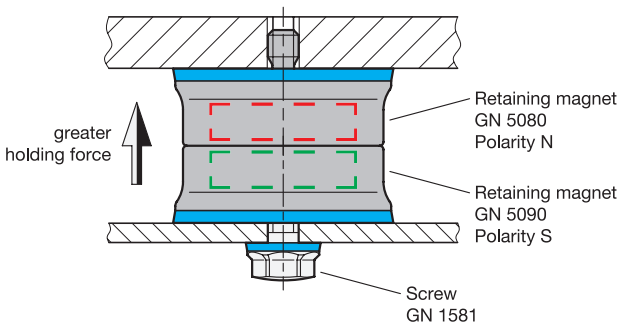
Assembly Instructions GN 5080 / GN 5090 / GN 7080 / GN 7090, Hygienic Design

## Retaining magnet with holding disks



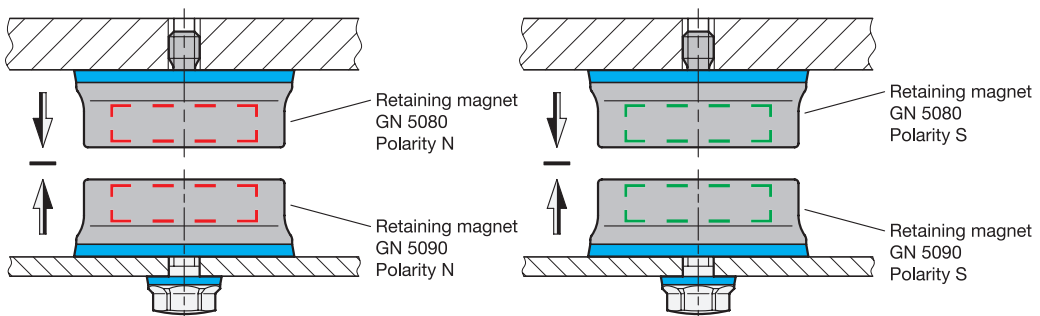
A normal holding force is achieved by combining retaining magnets with holding disks. Retaining magnets with north or south poles on the holding surface can be used equally.

## Two retaining magnets with opposite polarity



If two retaining magnets with opposite polarity are combined, an increased holding force is achieved.

## Two retaining magnets with the same polarity



Combining two retaining magnets with the same polarity creates a repelling force.