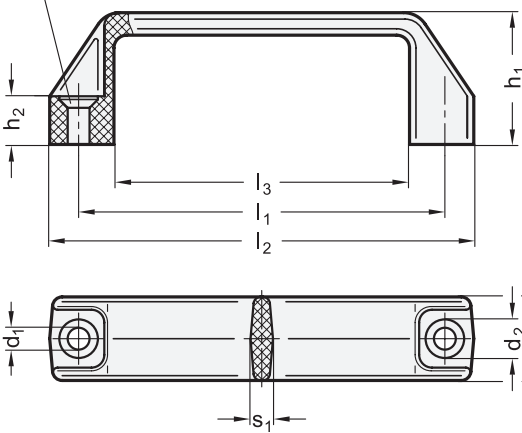


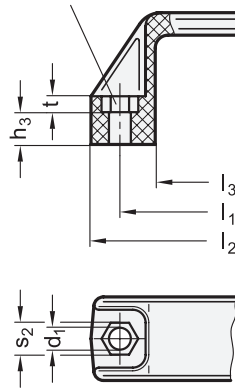
GN 528.2

Bore for countersunk screw DIN 7991



GN 528.3

Bore for hex head screw DIN 931/ISO 4014



2

l_1	l_2	l_3	b	d_1	d_2	h_1	h_2	h_3	t	s_1	s_2
GN 528.2	GN 528.3										
94 -1	94 -1	21	5,5	10	38	13	7	109	74	6	8
117 ±1	117 ±1	26	6,5	12	41	15	9	137	93	7	10
122 ±1	122 ±1	26	6,5	12	41	15	8,5	142	100	7	10
140 ±1	140 ±1	27	6,5	12	46	16	9,5	160	113	7	10
150 ±1	150 ±1	27	6,5	12	47	17	10,5	172	125	7	10
160 ±1	160 ±1	28	6,5	12	50	17	10,5	179	132	7	10
179 ±1	-	28	6,5	12	50	17	-	197	151	7,5	-

Specification

- Plastic **PA**
- Technopolymer (Polyamide)
- Glass fiber reinforced
- Temperature resistant up to 150 °C
- Black, RAL 9005, matte finish **● SW**
- *Strength Properties* → Page 2116
- *Plastic Characteristics* → Page 2158
- RoHS

1 3

Information

- see also...
- *Cabinet U-Handles GN 528 (for Socket Cap Screws)* → Page 120
 - *Cabinet U-Handles GN 728 (Aluminum, Mounting from the Operator's Side or the Back)* → Page 124

How to order (For countersunk screw)

1 2 3
GN 528.2-PA-179-SW

1	Material
2	l_1
3	Color

How to order (For hex head screw)

1 2 3
GN 528.3-PA-150-SW

1	Material
2	l_1
3	Color