

3.1

3.2

3.3

3.4

3.5

3.6

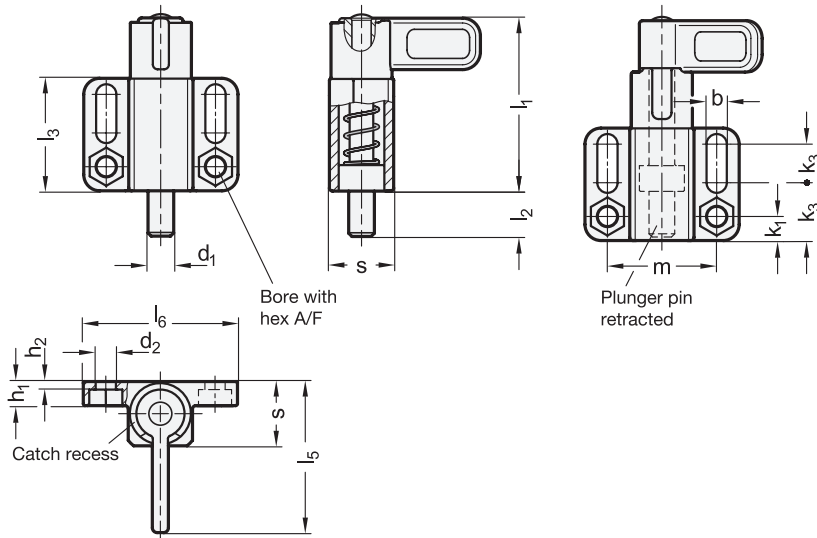
3.7

3.8

3.9



3 Type
E With latch, with rest position



1 2

d ₁ Pin -0.05 -0.25 Bore +0.1 +0.3	s	b +0,3	d ₂ +0,3	h ₁	h ₂	k ₁	k ₂	k ₃	l ₁ ≈	l ₂	l ₃	l ₅	l ₆	m	sw	Spring load in N ≈	
																Initial	End
8	20	6,1	6,1	7,5	1,5	7,5	18	12	54	14	35	37	48	34	10	14	35
10	20	6,1	6,1	7,5	1,5	7,5	18	12	54	14	35	37	48	34	10	14	35
12	20	6,1	6,1	7,5	1,5	7,5	18	12	54	14	35	37	48	34	10	14	35
14	20	6,1	6,1	7,5	1,5	7,5	18	12	54	14	35	37	48	34	10	14	35
16	30	10,1	10,1	15	5	14	34	10	83	20	54	55	80	55	17	22	70
20	30	10,1	10,1	15	5	14	34	10	83	20	54	55	80	55	17	22	70

Specification

- Guide
Steel precision casting
- Zinc plated, blue passivated
- Zinc plated and powder coated black, RAL 9005, textured finish
- Guide
Stainless steel precision casting AISI 316
- Latch
- Steel precision casting
Zinc plated, blue passivated (ZB and SW)
- Steel precision casting AISI 316 (for A4)
- Plunger pin
- Steel, zinc plated, blue passivated (ZB and SW)
- Stainless steel AISI 316 (for A4)
- Pressure spring
Stainless steel AISI 316Ti
- Load Rating Information → Page 2132
- Stainless Steel Characteristics → Page 2166
- RoHS

4

Information

With indexing plungers GN 722.6, the plunger pin is actuated via the latch. The **ZB** and **SW** versions are designed for applications in steel construction, whereas the stainless steel version **A4** is suitable for use in particularly aggressive environments.

ZB

SW

A4

The type with rest position is used when the plunger pin should temporarily not protrude. For this purpose, the latch is turned sideways after the locking pin has been retracted. The latch is held in this position by the catch recess at the top of the guide.

The dimensional tolerances between the pin and the guide have been chosen to ensure functional reliability even in roughly dimensioned applications or in the event of soiling.

For fastening, slotted or hexagonal mounting holes allow the use of socket cap screws DIN 912 and hex screws or nuts according to DIN 931 or DIN 934.

see also...

- List of Cam Action Indexing Plunger Types → Page 884 ff.

How to order

GN 722.6-16-30-E-ZB

1	d ₁
2	s
3	Type
4	Finish (Material)