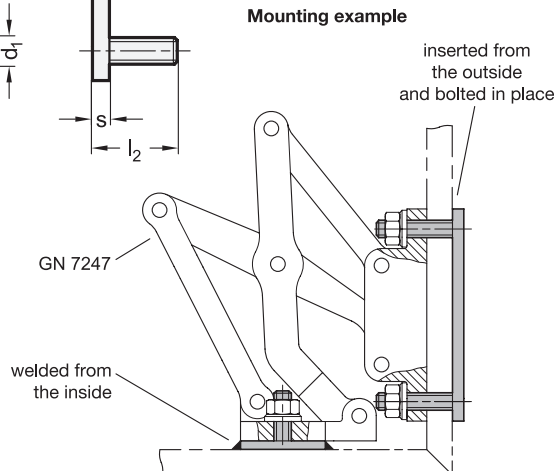


ROSTFREI®
Inox
Stainless
Steel



2 3

l_1	l_2			b	d_1	d_2	m_1	m_2	s
60	20	25	30	30	M 6	4	46	28	4
75	20	25	30	30	M 6	4	61	40	4

Specification

1 4

- Stainless Steel AISI 304 matte, ground **NI**
- Threaded studs Stainless Steel AISI 304 pressed-in **MT**
- Stainless Steel characteristics → Main Catalogue Page 1489
- RoHS

On request

- other threaded stud lengths
- other plate sizes
- other plate geometries

Information

Stainless Steel-Plates GN 7247.6 are designed with appropriate dimensions to be used as accessories for the fastening flanges of hinges GN 7241, GN 7243 and GN 7247.

The Stainless Steel-Plates are fastened from the outside via through-holes in the housing wall or alternatively by welding to the inside of the wall. This results in effective protection against vandalism, and the outside of the housing remain free of attachments that do not match the design or that should be avoided entirely in the interests of easy cleaning.

They make threaded holes, bolts and washers unnecessary during installation. This eliminates the labor-intensive pre-installation of such parts as well as the need to hold them in place during tightening or loosening.

The holes d_2 receive tensioning or positioning pins, if necessary, making it easy to position the plates and the multiple-joint hinges.

see also...

- Stainless Steel-Plates GN 7247.4 (with tapped holes) → Page 39
- Stainless Steel-Spacer plates GN 7247.2 → Page 38

How to order		1	Material
	2	l_1	
	3	l_2	
	4	Finish	

GN 7247.6-NI-60-30-MT