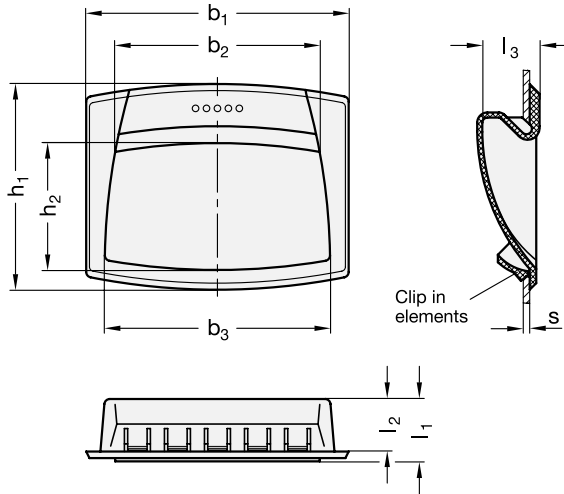




ELESA Original design EPR-PF



iF product design award



b_1	b_2	b_3	h_1	h_2	l_1	l_2	l_3	F_1 in N	F_2 in N
90	76	79	50	28	19	17	17,5	1800	500
110	91	96	73	42	24	20	21,5	1300	400
120	94	103	95	58	28,5	24	26,5	1000	250

Specification



- Plastic Technopolymer (Polyamide PA)
 - glass fibre reinforced
 - temperature resistant up to 80 °C
- Farbe (matte):
 - black-grey, RAL 7021 **SG**
 - white, RAL 9002, Cleanline, matt **CL**
- Plastic characteristics → Page 331
- RoHS compliant

On request

- in self-extinguishing plastic (SV)

Information

The design of the GN 731 gripping trays matches the product family of Ergostyle®.

There are no mounting screws required.

The values of the load capacities F_1 and F_2 were tested with wall thickness $s = 1,5$.

see also...

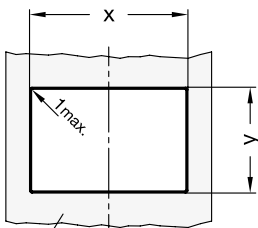
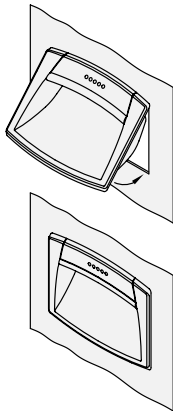
- Product family Ergostyle® → Main Catalogue Page 12
- Product family Cleanline → Main Catalogue Page 13

How to order

GN 731-120-SG

1 b_1

2 Colour



Wall thickness s

Mounting information

- 1) Drill the handle housing according to the template dimensions reported in the table.
- 2) Remove all drilling burrs before fitting the handle.
- 3) Fit the upper part of the handle into the housing.
- 4) Press onto the lower part until the handle is completely inserted.

s Wall thickness	$x + 0,2$ for $b_1 = 90$	$y \pm 0,1$	$x \pm 0,2$ for $b_1 = 120$	$y \pm 0,1$	$x + 0,2$ for $b_1 = 120$	$y \pm 0,1$
0,7 ... 0,8	85	34,9	107,5	70,6	107,5	70,5
> 0,8 ... 1,2	85	35,1	107,5	70,9	107,5	70,8
> 1,2 ... 1,5	85	36,1	107,5	71,1	107,5	71,2
> 1,5 ... 2	85	36,1	107,5	71,3	107,5	71,5
> 2 ... 2,2	85	36,1	107,5	71,6	107,5	71,5