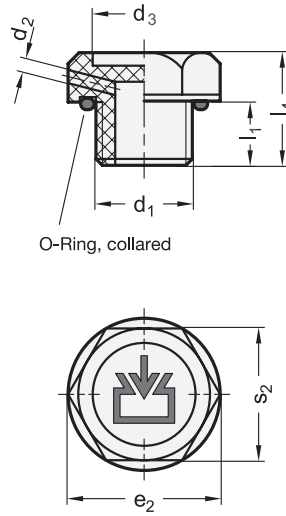
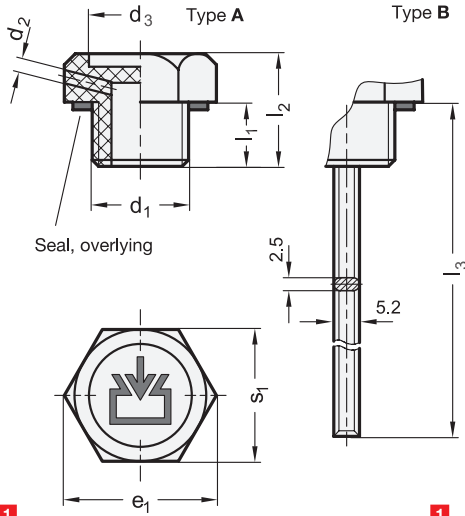


GN 747

GN 747.2



elasa
Original design TCD. / TCR.

2 Type

- A Without dipstick
- B** With dipstick

3 Identification no.

- 1 Without vent drilling
- 2 With vent drilling

GN 747				d ₁	d ₂	d ₃	e ₁ ≈	e ₂ ≈	l ₁	l ₂	l ₃	l ₄	s ₁	s ₂
d ₁	d ₂	d ₃	e ₁	GN 747.2	Vent drilling									
G 1/8*	M 10 x 1,5*	M 12 x 1,5 *	-	-	2	15	21,5	-	9	16	120	-	19	-
G 1/4*	M 14 x 1,5*	-	-	G 1/4	2	15	21,5	22	9	16	120	17	19	19
G 3/8	M 16 x 1,5	-	-	G 3/8	2	17	25	25,5	9	16	120	18	22	22
G 1/2	M 18 x 1,5	M 20 x 1,5	-	G 1/2	2	20,5	29,5	32	11	18	195	20	26	27
G 3/4	M 22 x 1,5	M 25 x 1,5	M 26 x 1,5	G 3/4	2	25	36,5	37	12	20	195	22	32	32
G 1	M 35 x 1,5	-	-	G 1	2	31	44	44	13	22	195	23	38	38
G 1 1/4	M 40 x 1,5	-	-	G 1 1/4	2	38	52,5	53,5	14	24	195	26	46	46
G 1 1/2	-	-	-	G 1 1/2	2	46	63	63,5	15	26	195	28	55	55

* These sizes are not available as Type B-2. ** Type B only available for GN 747.

Specification

- Plastic (Polyamide PA)
 - Glass fiber reinforced
 - Temperature resistant up to 100 °C
 - Black, matte finish

- Seal
 - Rubber NBR (Perbunan®)

- O-ring
 - Rubber NBR (Perbunan®)

- Dipstick
 - Steel, phosphated

• *Elastomer Characteristics* → Page 2158

• *Plastic Characteristics* → Page 2158

• RoHS

On request

- Level Markings / Special Lengths GN 109
→ Page 2083

Information

The dipstick of the threaded plugs GN 747 has two flat sides on which the MAX-MIN oil levels can easily be marked (see GN 109, page 2083).

see also...

- *Threaded Plugs GN 741 / GN 742 (Aluminum)* → Page 1590
- *Threaded Plugs GN 745 (without Symbol)* → Page 1584

How to order (Seal overlying)

GN 747-M20x1,5-A-1

- 1 d₁
- 2 Type
- 3 Identification no.

How to order (O-ring collared)

GN 747.2-G1/2-A-1

- 1 d₁
- 2 Type
- 3 Identification no.