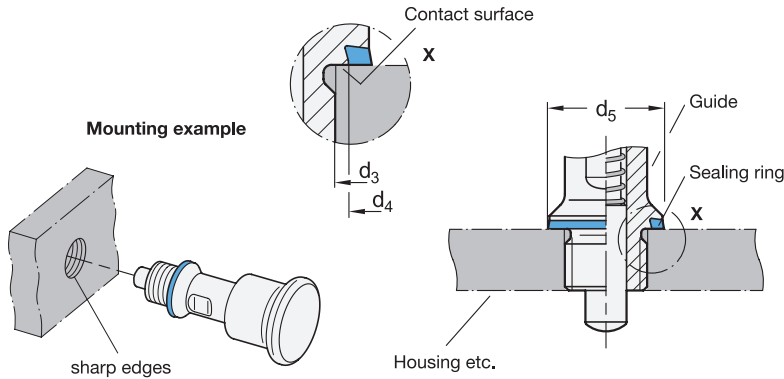


2 Type

- B without rest position
- C with rest position

3 Identification

FH Knob side Hygienic Design (front hygiene)



d ₁ Plunger f8 Bore H8	d ₂	d ₃	d ₄	d ₅	l ₁	l ₂	l ₃	k	A/F	Spring load in N ≈	
										initial	end
6	35	M 12 x 1,5	18	22,8	6	12	49,8	29	14	20	36
8	35	M 16 x 1,5	18	22,8	8	12	54,3	29	14	22	32

Specification

- Stainless Steel
 - AISI 316
 - Plunger pin case hardened
- Spring
 - Stainless Steel AISI 316Ti
- Seals, blue, FDA compliant
 - temperature resistant -25 °C to +110 °C
 - Sealing ring
 - H-NBR, hardness 85 ±5 Shore A **H**
 - Wiper
 - TPU, hardness 95 ±5 Shore A
- All moving parts lubricated with
 - FDA-compliant special grease
- Load rating information → Page 1463
- ISO-Fundamental tolerances → Page 1479
- Elastomer characteristics → Page 1483
- Stainless Steel characteristics → Page 1489
- RoHS

4

Information

Stainless Steel-Indexing plungers GN 8170 are intended for use in hygienic areas and meet hygiene requirements on the knob side (front hygiene). Wipers between the knob and the guide as well as the sealing ring between the guide and the housing keep the locking mechanism on the knob side leak-tight. At the same time, the high surface quality (Ra < 0,8 µm) and dead-space-free mounting prevent dirt from adhering and facilitate cleaning.

Indexing plungers with a rest position (Type C) are used for such applications where the plunger has to stay in its retracted position. In that case, the knob is retracted and afterwards turned by 90°. A notch keeps the plunger in this position.

Mounting holes and through-holes in the housing must be at a right angle, free of burrs and without a chamfer. This ensures that the sealing rings will function properly.

The Stainless Steel-Indexing plungers GN 8170 are certified according to DGUV Test.

How to order	
1	d ₁
2	Type
3	Identification
4	Material (Sealing ring)

GN8170-8-C-FH-H

3.1
3.2
3.3
3.4
3.5
3.6
3.7
3.8
3.9