

Construction and assembly instruction

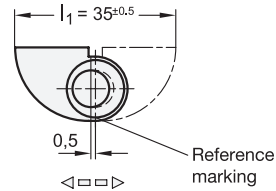
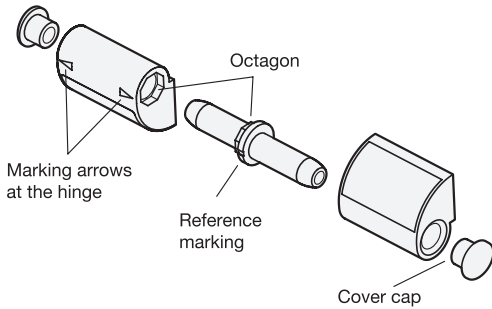
The hinge section is to be attached to the door frame with the octagon holder.

The caps are removable, allowing the pin to be inserted from both sides. The fixed hinge section can so be attached to a door frame positioned either on the left or on the right.

First insert the pin such that the reference marking of the pin coincides with the arrow at the hinge.

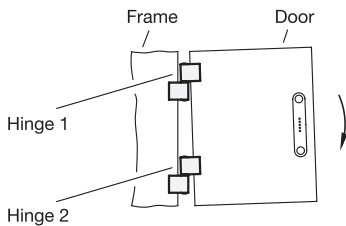
The eccentric pin is to be placed in eight positions via the octagon.

Depending on position, l_1 changes: min. 34.5 / max. 35.5.

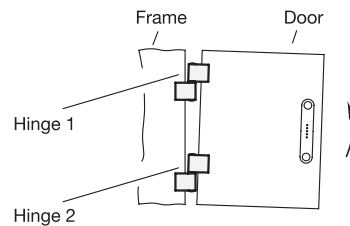


Aligning the door

To align the door, the eccentric pin of the top and bottom hinge may be turned into the required position.



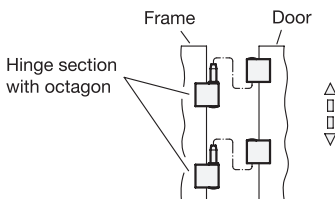
Hinge 1: Turn pin anti-clockwise
Hinge 2: Turn pin clockwise



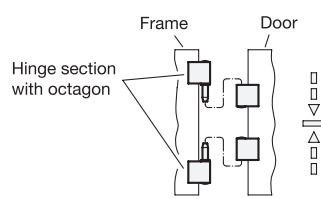
Hinge 1: Turn pin clockwise
Hinge 2: Turn pin anti-clockwise

Hinge layout

Door unhingeable



Door not unhingeable



Top hinge section:
pin turned by 180°, cover attached on the opposite side.
The top hinge section may be mounted to the frame only after the bottom hinge has been hung.

3.1
3.2
3.3
3.4
3.5
3.6
3.7
3.8
3.9

