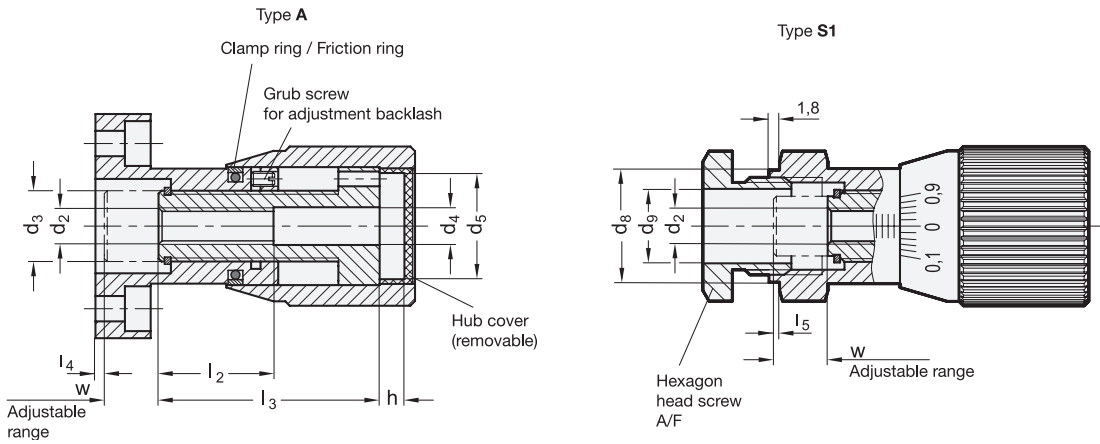




1.1
1.2
1.3
1.4

Control knobs with adjustable spindle GN 727 - Complementary dimensions with technical details



2.1
2.2
2.3
2.4

