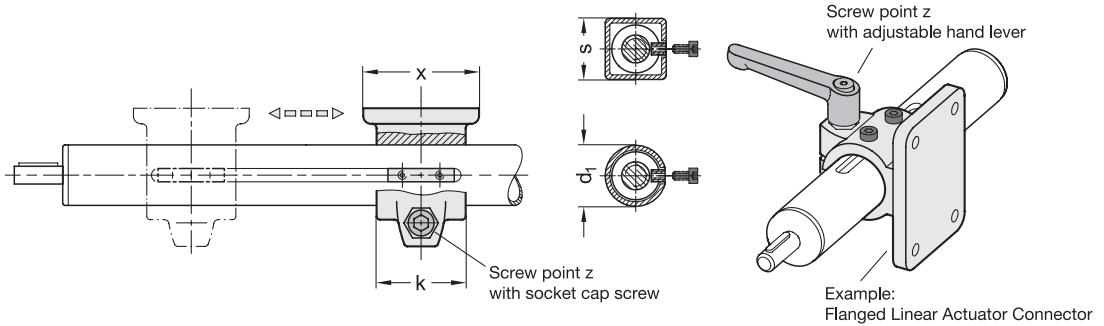


# Linear Actuator Connectors

Overview of Types



Code no.		Material		Cross-section		Interfering contours		Slide insert available	Hand lever available as accessory
		AL	Ni	d <sub>1</sub>	s	k Clamping length	x Flange		
GN 131.1 GN 131.2 Main catalog Page 1954		x	x	18	-	25	-	yes	yes
GN 132.1 GN 132.2 Main catalog Page 1955		x	-	30 40 50 60	-	40 56 65 80	-	yes	yes
GN 132.15 GN 132.25 Main catalog Page 1956		-	x	30 50	-	40 65	-	yes	yes
GN 133.1 GN 133.2 Main catalog Page 1957		x	-	18 30 50	-	40 65	-	yes	yes
GN 134.1 GN 134.2 GN 135.1 Main catalog Page 1978		x	-	30 40 50	30 40 50	50 60 76	-	no	yes
GN 145.1 Main catalog Page 1958		x	x	18	-	25	35	yes	yes
GN 146.1 GN 146.13 Main catalog Page 1959		x	-	30 40 50 60	-	40 56 65 80	52 78 92 110	yes	yes
GN 146.15 GN 146.16 Main catalog Page 1961		-	x	30 50	-	40 65	52 92	yes	yes

# Linear Actuator Connectors

Overview of Types

Code no.		Material		Cross-section		Interfering contours		Slide insert available	Hand lever available as accessory
		AL	NI	d <sub>i</sub>	s	k Clamping length	x Flange		
<b>GN 147.1</b> Main catalog Page 1980		x	-	-	30 40 50	50 76	50 76	no	yes
<b>GN 162.1</b> Main catalog Page 1963		x	x	18	-	40	-	yes	yes
<b>GN 163.1</b> Main catalog Page 1964		x	-	30 40 50 60	-	50 70 85 100	-	yes	no
<b>GN 163.15</b> Main catalog Page 1965		-	x	30 50	-	50 85	-	yes	yes
<b>GN 165.1</b> Main catalog Page 1981		x	-	-	30 40 50	58 91	-	no	yes
<b>GN 273.1</b> Main catalog Page 1969		x	-	18	-	25	-	yes	yes
<b>GN 274.1</b> Main catalog Page 1970		x	-	30 40 50	-	40 65	-	yes	yes
<b>GN 277.1</b> Main catalog Page 1971		x	-	18	-	25	-	yes	yes
<b>GN 278.1</b> Main catalog Page 1972		x	-	30 40 50	-	40 65	-	yes	yes
<b>GN 191.1</b> Main catalog Page 1966		x	x	18	-	25	-	yes	yes
<b>GN 192.1</b> Main catalog Page 1967		x	-	30 40 50 60	-	40 56 65 80	-	yes	yes
<b>GN 192.15</b> Main catalog Page 1968		-	x	30 50	-	37 65	-	yes	yes

3.1

3.2

3.3

3.4

3.5

3.6

3.7

3.8

3.9

