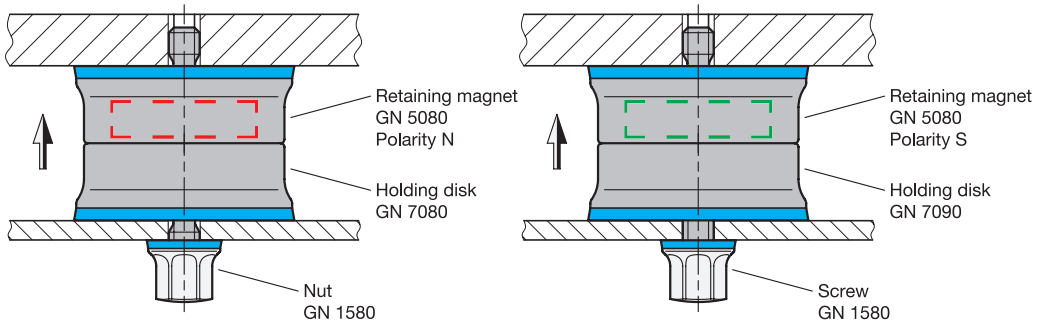
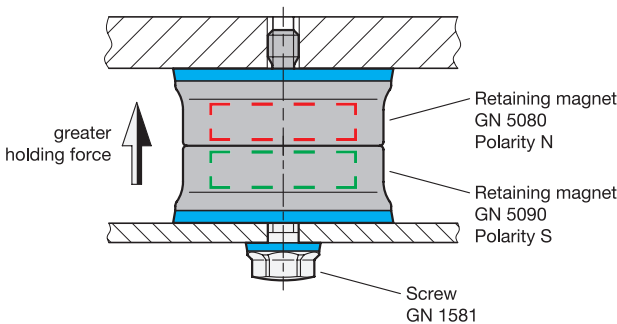


Retaining magnet with holding disks



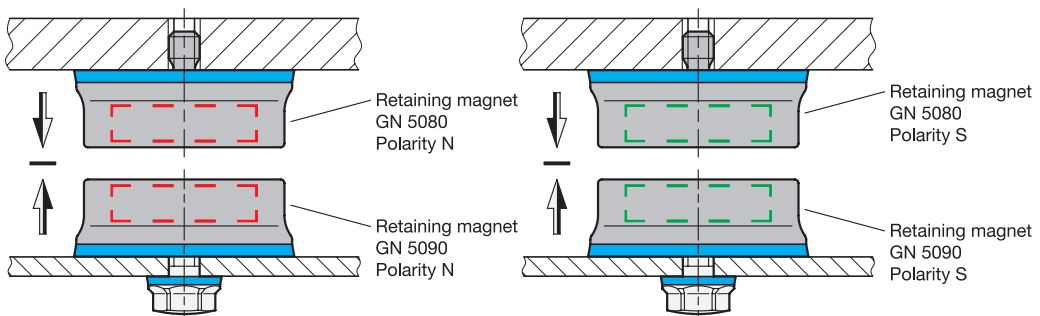
A normal holding force is achieved by combining retaining magnets with holding disks. Retaining magnets with north or south poles on the holding surface can be used equally.

Two retaining magnets with opposite polarity



If two retaining magnets with opposite polarity are combined, an increased holding force is achieved.

Two retaining magnets with the same polarity



Combining two retaining magnets with the same polarity creates a repelling force.

3.1

3.2

3.3

3.4

3.5

3.6

3.7

3.8

3.9

