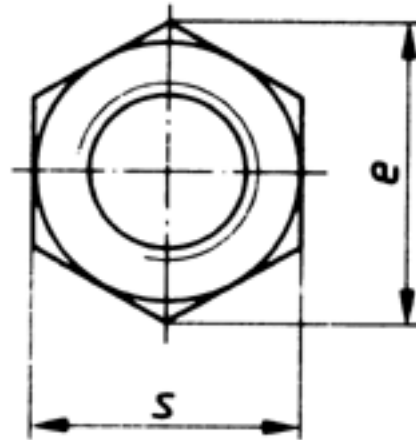
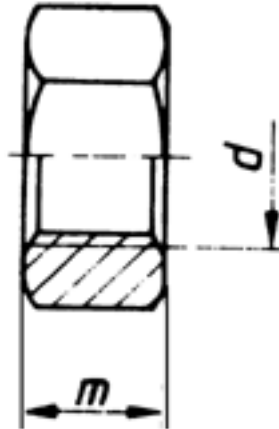




Metric Full Nuts

Ref: ISO4032



Information

These metric full nuts are available in a range of sizes from M6 - M30 & in zinc plated steel or stainless steel. Made to ISO4032 standard.

Material: Stainless steel, NI
Zinc plated steel, 8

d	M6	M8	M10	M12	M16	M20	M24	M30
m	5,2	6,8	8,4	10,8	14,8	18,0	21,5	25,6
s	10,0	13,0	16,0	18,0	24,0	30,0	36,0	46,0

How to Order: d: M6 - Material: NI => ISO4032-M6-NI