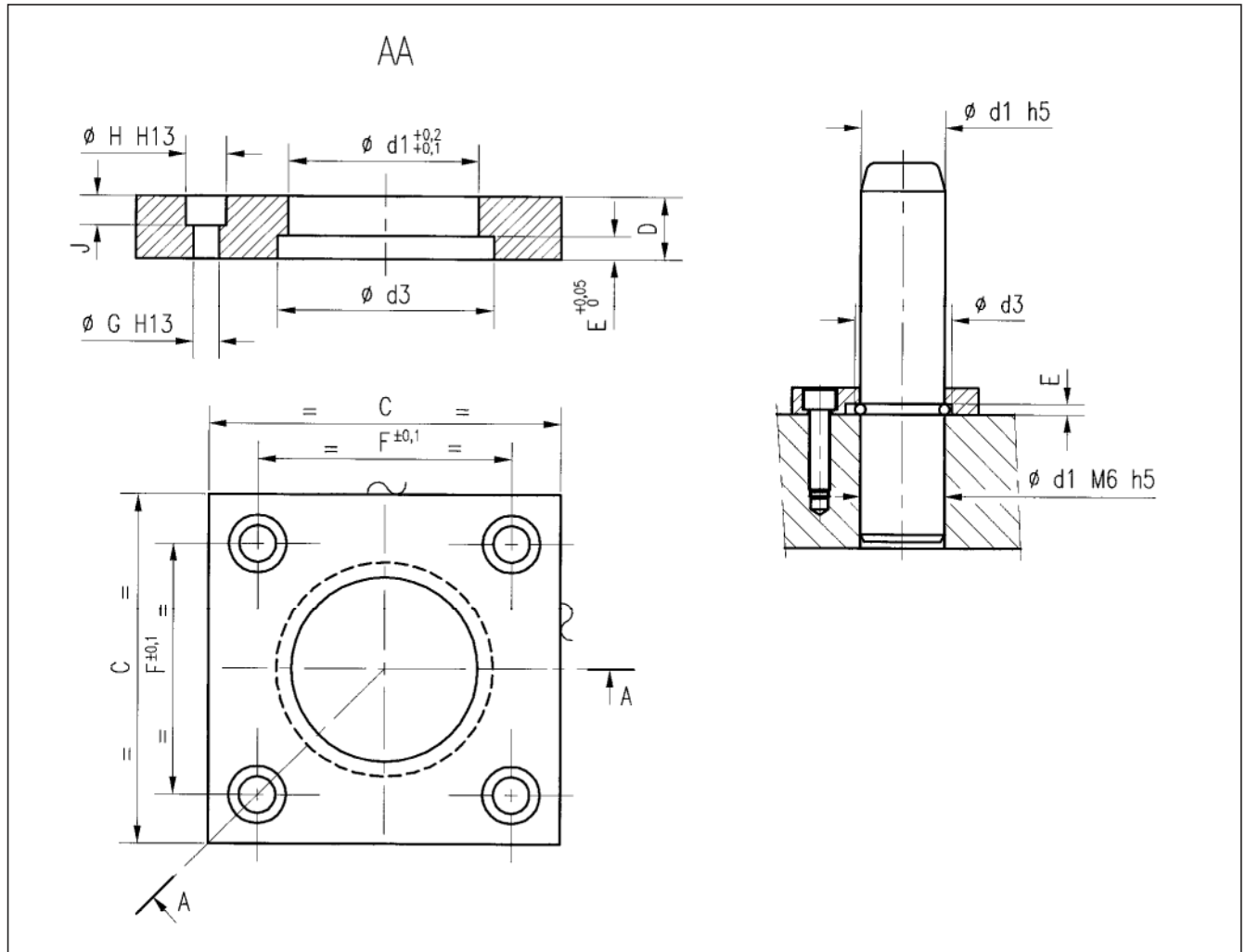


Square Clamp for Centre Retained Pillars

AFNOR E 63-053, ISO 9182

Ref: 5521



How to Order: Ref. 5521 $d1 = 50 \Rightarrow$ **5521-050-000**

<i>d1</i>	25	32	40	50	63	80	100
d3	28	37	45	55	70	87	107
C	45	56	70	80	100	110	140
D	10	10	12	14	18	20	20
E	2.7	4.2	4.2	4.2	6.2	6.2	6.2
F	31	36	50	55	70	80	100
G	6.6	6.6	6.6	9	11	14	14
H	12	12	12	16	18	22	22
J	7	7	7	9	11	13	13
Cap Screw	M6	M6	M6	M8	M10	M12	M12

<i>d1</i>	25	32	40	50	63	80	100
	●	●	●	●	●	●	●