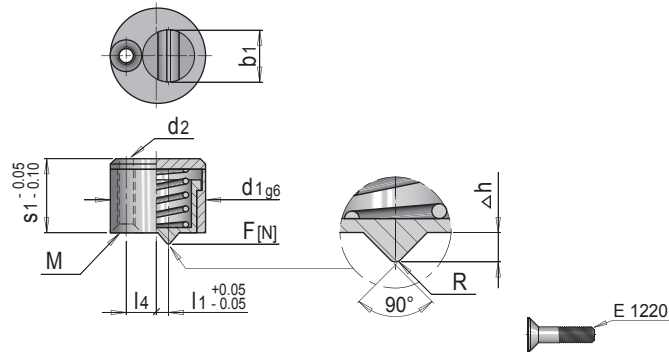


E 3046



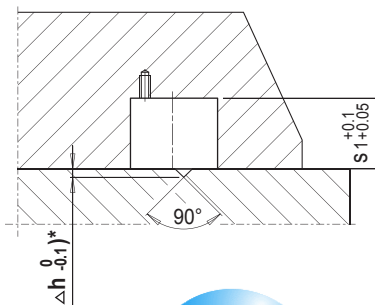
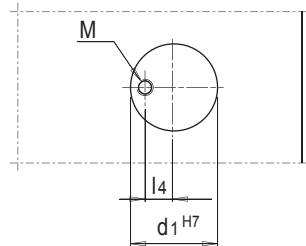
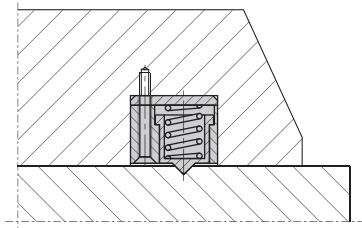
Slide stopper device with circular body



Mat.: 1.2842 ≈ 60 HRC

t max = 180°C

F[N]	M	d2	l4	s1	l1	b1	R	Δh	d1	Nr. /No.
28	M 2	M 3	4.3	10	1.4	6.6	0.35	1.0	13	E 3046/13
38	M 3	M 4	6.0	14	2.0	9.6	0.50	1.8	18	E 3046/18
38	M 4	M 5	9.0	21	3.0	14.6	0.75	2.8	27	E 3046/27



$\Delta h \begin{smallmatrix} 0 \\ -0.1 \end{smallmatrix}^*$ Provide for pre-load



BERGER TOOLS LTD

T+44 (0)1732 763377
F+44 (0)1732 763335

E sales@berger-tools.co.uk
W www.berger-tools.co.uk