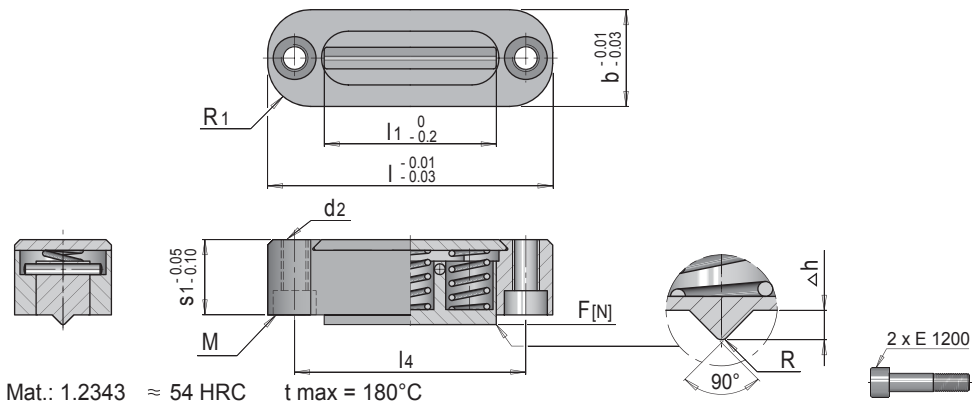


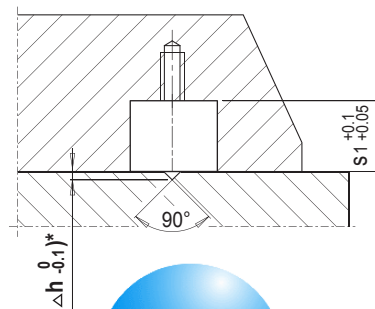
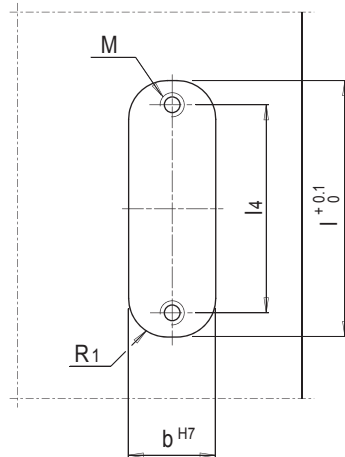
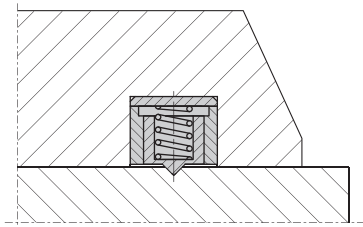
E 3048



Slide stopper device with flat body



F[N]	M	d2	l4	s1	l1	R	Δh	R1	b	l	Nr./No.
114	M 4	M 5	43	14	32	0.5	1.8	8	18	53	E 3048/18/53



$\Delta h \begin{smallmatrix} 0 \\ -0.1 \end{smallmatrix}$)* Provide for pre-load



BERGER TOOLS LTD

T+44 (0)1732 763377
F+44 (0)1732 763335

E sales@berger-tools.co.uk
W www.berger-tools.co.uk