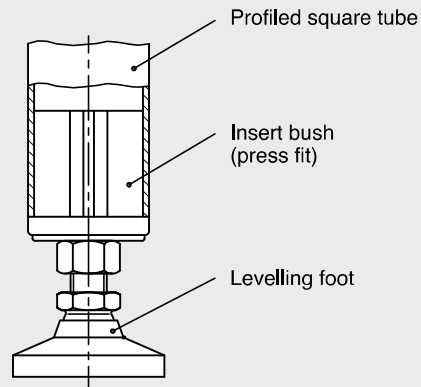
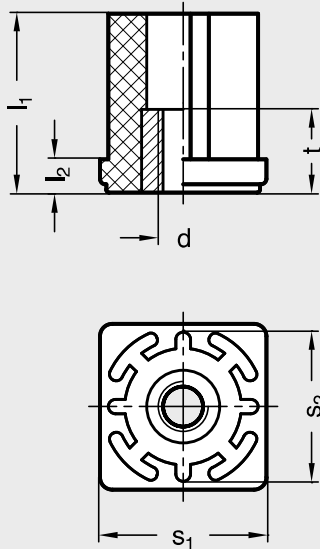




for profiled square tubes

Insert bushes

GN 348.1



s ₁	s ₂	d	l ₁	l ₂	t	Tube dimensions		Wall thickness	Static load [kN] (see information)
						Outside	Inside		
30	27	M 10	33	6	20	30	27	1,5	5
		M 12							
		M 16							
40	36	M 10	43	8	20	40	36	2	5
		M 12							
		M 16							
50	45	M 16	55	10	30	50	45	2,5	5
		M 20							
50	46	M 16	55	10	30	50	46	2	5
		M 20							

Specification

Plastic

Technopolymer (Polyamide PA)
glass fibre reinforced
black, matt

temperature resistant up to 120° C

resistant to
oil, grease, solvents, chemicals

Bush brass
nickel plated

Plastic
characteristics

Page 897

Information

Insert bushes GN 348.1 (photo page 707) offer the possibility of mounting screws in profiled square tubes. A typical example is the connection of a square tube with a levelling foot.

The figures given in the table for static loads are nominal values. Exceeding these values can lead to permanent deformation or breaking of the insert bush.

The values were arrived at by a series of tests whereby a specific number of insert bushes were subjected for a limited time to a vertical static load.

Dependent on the application and method of loading, a safety factor has to be taken into consideration so as to ensure that the permissible load is inferior to the values given in the table.

As to possible damage when using these insert bushes in connection with levelling feet we cannot accept any liability whatsoever.

How to order

Insert bush

GN 348.1-40-36-M16

Code No.	s ₁	s ₂	d



2.5

Insert bushes	GN 348.1	P. 706
Insert bushes	GN 992	P. 708
assembly with		
Levelling feet	GN 343.2	P. 682
Levelling feet	GN 343.4	P. 685
Levelling feet	GN 344.1	P. 690
Levelling feet	GN 342.2	P. 688