

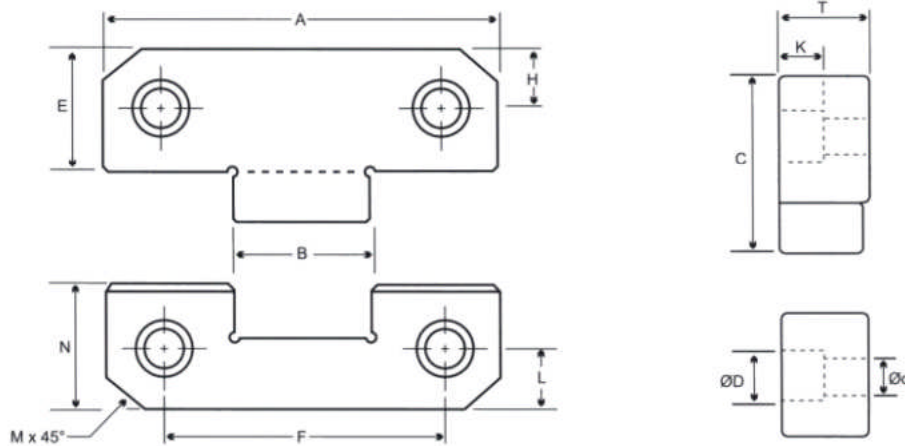
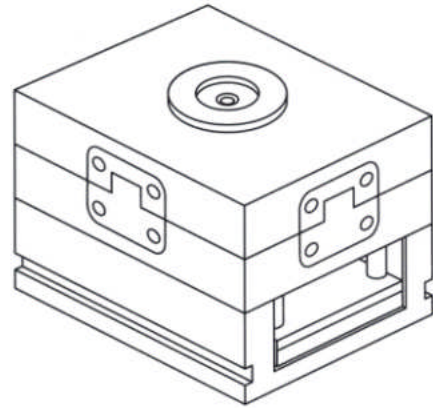


S01 Straight Side Locks

MATERIAL: Tool Steel

HARDNESS: HRC58+/-2

HOW TO ORDER: use item code below



METRIC STANDARD

CODE	A	B	C	D	d	E	F	H	L	M	T	K	N	Weight(kg)
S01-50	50	17	30	10.5	6.5	21.5	34	11	11	5	16	8	21.5	0.27
S01-75	75	25	50	16.5	10.5	36	50	18	18	5	19	12	36	0.81
S01-100	100	35	65	16.5	10.5	45	70	22	22	5	19	12	45	1.34
S01-125	125	45	65	16.5	10.5	45	84	22	22	5	25	12	45	2.21

INCH STANDARD

CODE	A	B	C	D	d	E	F	H	L	M	T	K	N	Weight(kg)
S01-15A	1.5000	.5000	1.180	.406	.281	.870	.938	.437	.281	.190	.620	.312	.870	0.21
S01-20A	2.0000	.6800	1.180	.406	.281	.870	1.250	.437	.375	.190	.620	.312	.870	0.27
S01-30A	3.0000	1.0000	1.910	.593	.406	1.360	2.250	.688	.688	.190	.745	.438	1.370	0.81
S01-40A	4.0000	1.3750	2.640	.593	.406	1.870	2.750	.875	.875	.500	.745	.438	1.870	1.34
S01-50A	5.0000	1.7500	2.640	.781	.531	1.870	3.500	.875	.875	.500	1.120	.563	1.870	2.21