



## S05 Top Locks with Titanium coated

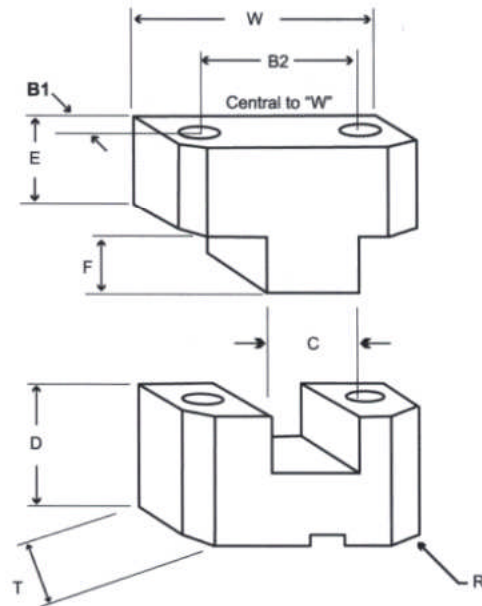
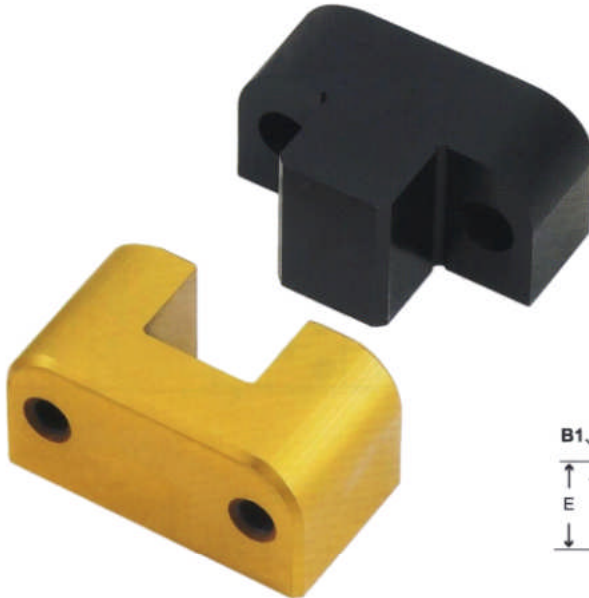
MATERIAL: Tool Steel

HARDNESS:

Male = HRC58+/-2 Black Oxidized

Female = HRC80+/-2 Titanium Nitriding Coated

HOW TO ORDER: use item code below



### INCH STANDARD

CODE	W	T	F	TOTAL HEIGHT	C	B <sub>1</sub>	B <sub>2</sub>	D	R	E	SHCS		Weight (kg)
											MALE(2)	FEMALE(2)	
S05-125	+0.000 -0.005	+0.000 -0.002	-0.000 +0.010	1.125	-0.0002 TOTAL	+0.010 -0.010	+0.010 -0.010	+0.000 -0.002	.26	+0.000 -0.002	6-32 x 1/2	6-32 x 5/8	0.11
S05-150	1.5000	.875	.500	1.625	.5000	.437	1.000	.875	.26	.750	8-32 x 3/4	8-32 x 3/4	0.27
S05-200	2.0000	1.000	.625	1.875	.7500	.500	1.375	1.125	.38	.750	10-34 x 3/4	10-34 x 1	0.48
S05-300	3.0000	1.125	.750	2.250	1.1250	.562	2.250	1.500	.51	.750	1/4-20 x 3/4	1/4-20 x 1-1/2	0.98