

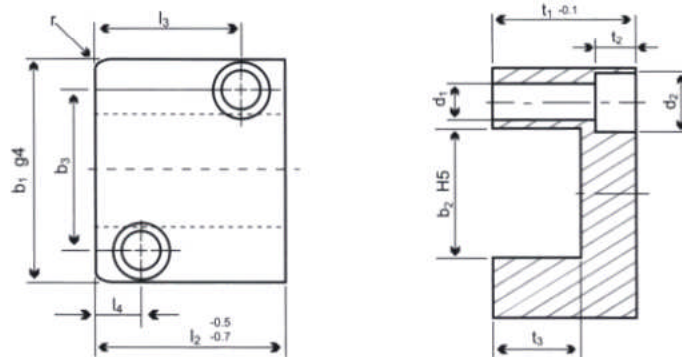
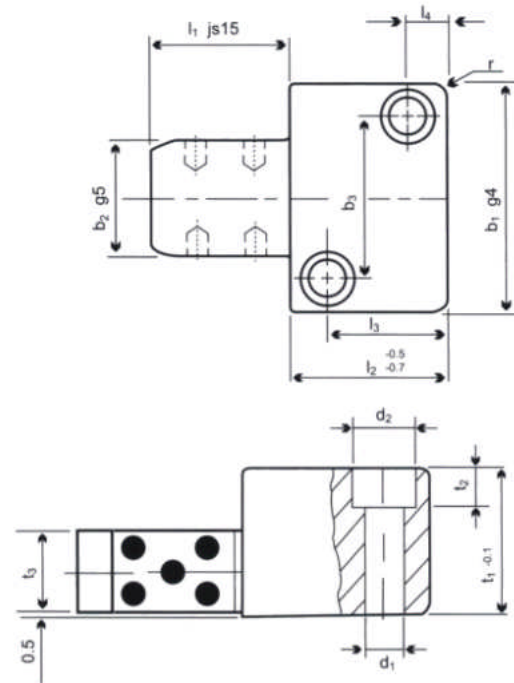


S06 Oilless Side Locks

MATERIAL: Tool Steel

HARDNESS: Male = HRC58+/-2

HOW TO ORDER: use item code below



METRIC STANDARD

CODE	b ₁	b ₂	l ₁	l ₂	t ₁	t ₃	d ₁	d ₂	t ₂	b ₃	l ₃	l ₄	r	Weight(kg)
S06-40A			20											0.25
S06-40B	40	16	40	22	20	11	6.6	11	6.8	26	15	7	6	0.27
S06-45A			25											0.40
S06-45B	45	20	50	27	22	13	6.6	11	6.8	31	19	7	6	0.45
S06-50A			32											0.65
S06-50B	50	25	63	36	25	14	6.6	11	6.8	35	27	9	8	0.75
S06-63A			40											1.30
S06-63B	63	32	80	46	32	19	9	15	9	45	35	11	8	1.45
S06-85A			50											2.40
S06-85B	85	40	100	56	36	22	11	18	11	60	40	15	10	2.75
S06-100A			56											3.70
S06-100B	100	50	112	66	40	24	14	20	13	74	48	18	10	4.25