

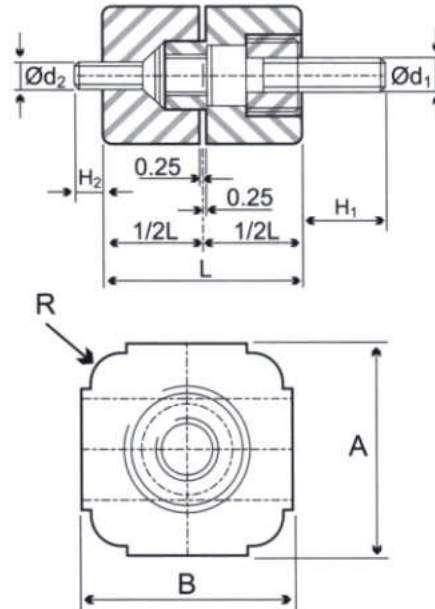


S07 Square Interlocks

MATERIAL: Tool Steel

HARDNESS: HRC58+/-2

HOW TO ORDER: use item code below



METRIC STANDARD

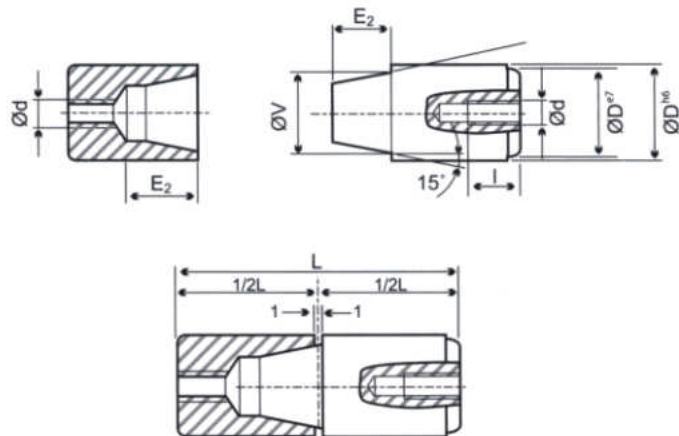
Code	A	B	L	d ₁	d ₂	H ₁	H ₂	R	Weight(kg)
S07-20	20	20	28	M5	M4	12	4	4	0.08
S07-25	25	25	32	M6	M5	13	8	5	0.15
S07-32	32	32	36	M8	M6	15	12	6	0.28
S07-40	40	40	45	M10	M8	17	10	6	0.56

S08 Round Interlocks

MATERIAL: Tool Steel

HARDNESS: HRC58+/-2

HOW TO ORDER: use item code below



METRIC STANDARD

Code	D	L	V	E ₁	E ₂	l	d	Weight(kg)
S08-12	12	34	8	5	8	10	M4	0.03
S08-14	14	34	10	7	8	11	M5	0.04
S08-16	16	34	10	7	8	11	M5	0.05
S08-20	20	54	15	10	13	15	M8	0.12
S08-25	25	54	20	11	13	15	M8	0.20
S08-26	26	54	20	11	13	15	M8	0.21
S08-30	30	72	25	14	20	18	M10	0.39
S08-32	32	72	25	14	20	18	M10	0.45
S08-42	42	92	35	18	25	18	M10	0.98