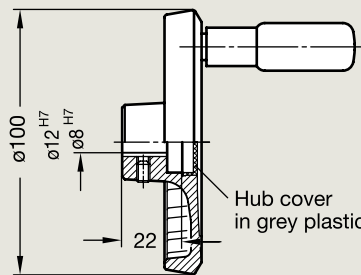
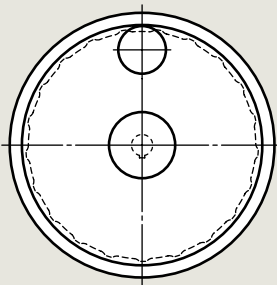


How to order

Handwheel
for linear actuator $\varnothing 18$
GN 923.18-80-K6-R

Specification

- ▶ **Aluminum**, plastic coated, black, textured finish
(For details see GN 923)
Revolving handle, plastic, black



How to order

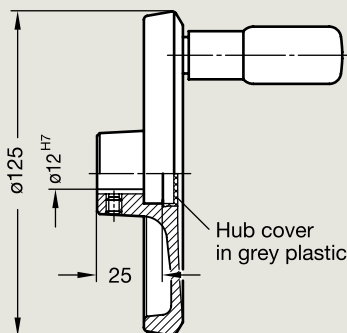
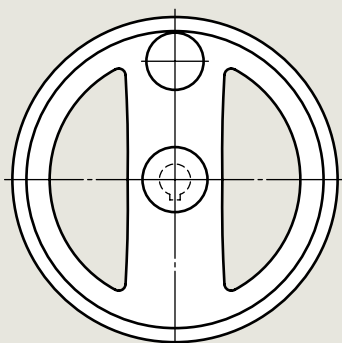
Handwheel for
linear actuator $\varnothing 30 / \varnothing 30$
GN 923.30-100-K8-R

How to order

Handwheel for
linear actuator $\varnothing 40 / \varnothing 40$
GN 923.40-100-K12-R

Specification

- ▶ **Aluminum**, plastic coated, black, textured finish
(For details see GN 923)
Revolving handle, plastic, black



How to order

Handwheel for
linear actuator $\varnothing 40 / \varnothing 40$
GN 924.40-125-K12-R

Specification

- ▶ **Aluminum**, plastic coated, black, textured finish
(For details see GN 924)
Revolving handle, plastic, black